



Lexmark X746

Robust color MFPs for productive workgroups.

The Lexmark X740 Series color laser MFPs increase efficiency and deliver high-quality color documents. Security controls and workflow-enhancing solutions make high-volume printing easy and secure.

Robust high-quality color

Rely on Lexmark X740 Series color laser MFPs for the high-quality color printing, scanning and copying essential to business. Speed and reliability mean minimal waiting and few interruptions. You consistently and quickly receive vibrant documents.

- ▶ Match corporate colors on marketing collateral and brandsensitive text and graphics with Lexmark Named Color Replacement and PANTONE® calibration.



Color



7-inch touch screen



Up to 35 ppm



Solutions



Duplex



Network



Eco-mode



Security

- ▶ Lexmark cartridges let you print up to 12,000 pages per cartridge in black and 7,000 pages per cartridge in color.¹
- ▶ Print and copy quickly at speeds up to 35 ppm and a time to first page as fast as 9 seconds in both black and color.
- ▶ The high-speed processor, 512MB RAM and Gigabit Ethernet networking mean fast data transfer and fast processing, even on complex color documents.
- ▶ Ultra-reliable paper feeding supports diverse media, including card stock, vinyl labels, banners and more.

Productivity made easy

The combination of easy-to-use features and reliable performance means business processes are intuitive and you are productive. Increase efficiency with workflow-enhancing solutions and shortcuts designed to reduce unnecessary printing and simplify processes.

- ▶ The easy-to-use 7-inch color touch screen provides audible feedback and tablet-like navigation to make device operation intuitive and simple.



- ▶ Expand input capacity with optional drawers that let you load multiple media types and boost total input capacity up to 4,300 sheets.
- ▶ Quickly print and copy documents using the instant warm-up fuser that also reduces energy consumption.
- ▶ Create customized messages to provide helpful information such as helpdesk telephone numbers.
- ▶ Easily manage supplies through programmable alerts that automatically send reorder notifications.
- ▶ User authorization lets you customize personal access rights based on user login and group membership, including LDAP groups.
- ▶ Protect sensitive data sent to the device with IPSec, SNMPv3 and 802.1x network security protocols and hard disk encryption.*
- ▶ Remove sensitive data using automatic, scheduled or manual disk wiping that complies with government security standards.*
- ▶ Security-audit logging tracks and identifies security risks.
- ▶ Increase the security of scanned documents with PDF 1.6 support.

Security is standard

With Lexmark X740 Series color laser MFPs, printing is secure and sensitive information is protected. Advanced security controls provide the peace of mind that valuable business data is protected at every stage: from user authentication to security audits and disk wiping.*

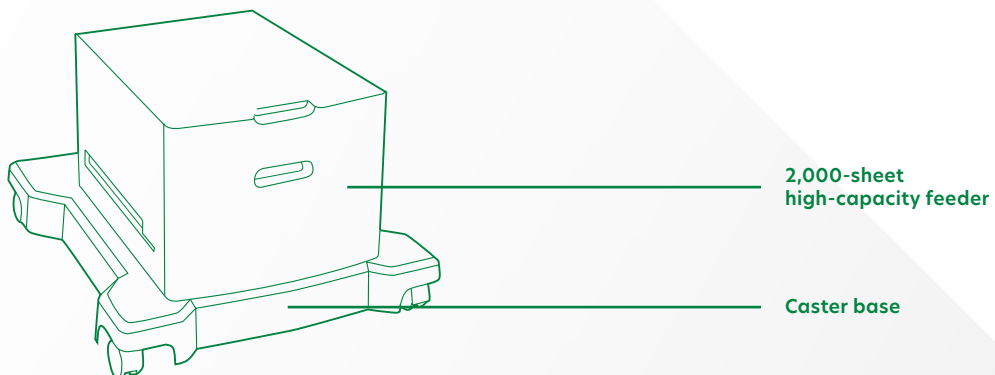
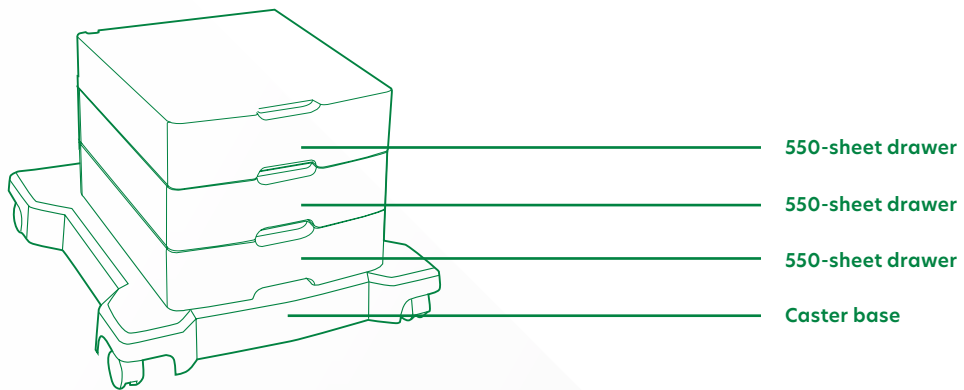
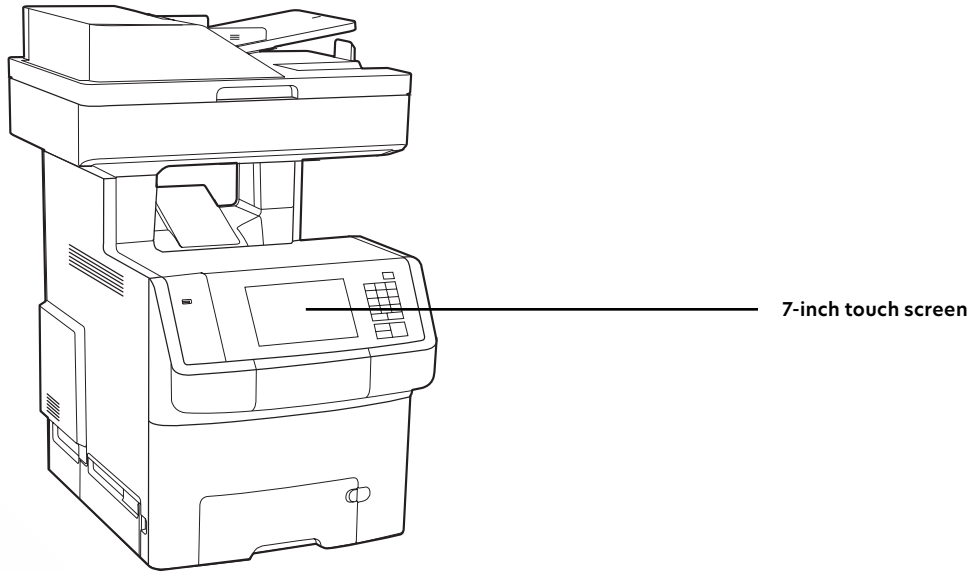
*Hard disk is required to support disk wiping and encryption

Product specifications	Lexmark X746de
Printing	
Display	Lexmark e-Task 7-inch (17.8 cm) color touch screen
Print Speed: Up to	Black: 35 ppm / Color: 35 ppm
Time to First Page: As fast as	Black: 9 seconds / Color: 9 seconds
Print Resolution	Black: 4800 Color Quality (2400 x 600 dpi), 1200 x 1200 dpi / Color: 4800 Color Quality (2400 x 600 dpi), 1200 x 1200 dpi
Memory	Standard: 512 MB / Maximum: 1536 MB
Hard Disk	Option available
Recommended Monthly Page Volume ³	3,000 - 10,000 pages
Maximum Monthly Duty Cycle: Up to ²	100,000 pages per month
Copying	
Copy Speed: Up to	Black: 35 cpm / Color: 35 cpm
Time to First Copy: As fast as	Black: 13 seconds / Color: 13.5 seconds
Scanning	
Scanner Type / ADF Scan	Flatbed scanner with ADF / RADF (Reversing Duplex)
A4/Ltr Duplex Scan Speed: Up to	Black: 12 / 12 sides per minute / Color: 12 / 12 sides per minute
A4/Ltr Simplex Scan Speed: Up to	Black: 34 / 35 sides per minute / Color: 33 / 35 sides per minute
Faxing	
Modem Speed	33.6 Kbps
Supplies	
Photoconductor Estimated Yield: Up to ¹	20,000 pages, based on 3 average letter/A4-size pages per print job and ~ 5% coverage
Cartridge(s) Shipping with Product	6,000-page color (CMY) Starter Return Program Toner Cartridges, 6,000-page Black starter Return Program Toner Cartridge
Paper Handling	
Paper Input Capacity: Up to	Standard: 650 pages 20 lb or 75 gsm bond / Maximum: 4300 pages 20 lb or 75 gsm bond
Paper Output Capacity: Up to	Standard: 250 pages 20 lb or 75 gsm bond / Maximum: 250 pages 20 lb or 75 gsm bond
Media Types Supported	Refer to the Card Stock & Label Guide., Vinyl Labels, Transparencies, Plain Paper, Paper Labels, Envelopes, Card Stock
Media Sizes Supported	A6, Oficio, Universal, Statement, Letter, Legal, JIS-B5, Folio, Executive, B5, DL Envelope, C5 Envelope, B5 Envelope, A5, A4, 9 Envelope, 7 3/4 Envelope, 10 Envelope
General Information	
Standard Ports	Ethernet 10/100/1000 BaseTX (RJ-45), Rear USB 2.0 Specification Hi-Speed Certified Port (Type A), Front USB 2.0 Specification Hi-Speed Certified port (Type A), USB 2.0 Specification Hi-Speed Certified (Type B)
Optional Network Ports / Optional Local Ports	Internal MarkNet™ N8250 802.11b/g/n Wireless / Internal 1284-B Bidirectional Parallel, Internal RS-232C serial
Noise Level: Operating	Print: 59 dBA / Copy: 59 dBA / Scan: 54 dBA
Specified Operating Environment	Altitude: 0 - 3048 Meters (10,000 Feet), Humidity: 8 to 80% Relative Humidity, Temperature: 16 to 32°C (60 to 90°F)
Limited Warranty - See Statement of Limited Warranty	1-Year Onsite Service, Next Business Day
Size (in. - H x W x D) / Weight (lb.)	31.0 x 21.5 x 24.5 in. / 97.0 lb.

¹Actual Yield may vary based on other factors such as device speed, paper size and feed orientation, toner coverage, tray source, percentage of black-only printing and average print job complexity. ²"Maximum Monthly Duty Cycle" is defined as the maximum number of pages a device could deliver in a month using a multishift operation. This metric provides a comparison of robustness in relation to other Lexmark printers and MFPs. ³"Recommended Monthly Page Volume" is a range of pages that helps customers evaluate Lexmark's product offerings based on the average number of pages customers plan to print on the device each month. Lexmark recommends that the number of pages per month be within the stated range for optimum device performance, based on factors including: supplies replacement intervals, paper loading intervals, speed, and typical customer usage.

This is a Class A device according to the FCC Rules and international electromagnetic emissions standards. This device is not intended for use in residential or domestic environments due to potential interference to radio communications.

Color laser multifunction printer



■ Standard
■ Optional

© 2015 Lexmark and the Lexmark logo are trademarks of Lexmark International, Inc., registered in the United States and/or other countries. All other trademarks are the property of their respective owners. ENERGY STAR® is a U.S. registered mark.

AirPrint and the AirPrint logo are trademarks of Apple Inc.

15WWW42B5